

# Eaton Rack Power Module (RPM)



The RPM delivers up to 36 kW of power in an organized manner to loads of various voltages, power cords and layouts. The 3U RPM can be deployed in the same rack with the UPS and IT equipment; there's no need for a dedicated infrastructure rack. The resulting architecture has fewer cables to manage, fewer distribution points to monitor, and greater flexibility for IT personnel to make changes without an electrician.

## Features

- Provides plug-and-play primary distribution of power from three-phase input source to secondary power distribution devices
- Serves data center loads with various voltages, power cord configurations and layouts
- Distributes three-phase power to 12 poles, grouped into two sets of six poles, with choice of output receptacle types
- "Power Equalizer" LED display gives quick visual indication of each circuit's load, reducing possibility of overloads and breakers tripped off line
- Load information available from the front of the rack, no need to check individual power strips in the rear of the cabinet (hot isle)
- Branch circuit monitoring option allows easy load monitoring over the network
- Installs in only 3U of space in EIA 19" rack or enclosure (or wall-mounted)
- Enables customer installation and changes without the services of an electrician

## Top Models

Need an RPM quickly? Choose one of the following models for fast shipping.

Part number	Input cable	Receptacles		Metering	TVSS
		Recep 1	Recep 2		
Y03113011100000	BladeUPS 208V 15'	L21-20 (2)	L21-20 (2)	Local Power Meter	No
Y03113022100000	BladeUPS 208V 15'	L21-30 (2)	L21-30 (2)	Local Power Meter	No
Y03113055100000	BladeUPS 208V 15'	L6-30 (3)	L6-30 (3)	Local Power Meter	No
Y03113047100000	BladeUPS 208V 15'	L6-20 (3)	5-20 (6)	Local Power Meter	No
Y03113017100000	BladeUPS 208V 15'	L21-20 (2)	5-20 (6)	Local Power Meter	No
Y031130FF100000	BladeUPS 208V 15'	L15-30 (2)	L15-30 (2)	Local Power Meter	No



Powering Business Worldwide

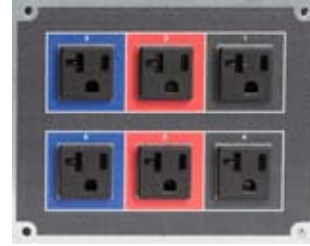
**OUTPUT RECEPTACLE PLATES**



L21-20R\*, L21-30R,  
L15-20R, L15-30R



L6-15R, L6-20R\*, L6-30R,  
L14-20R, L14-30R



5-15R, 5-20R\*



IEC320-C13 (208V)\*,  
IEC320-C13 (230V)

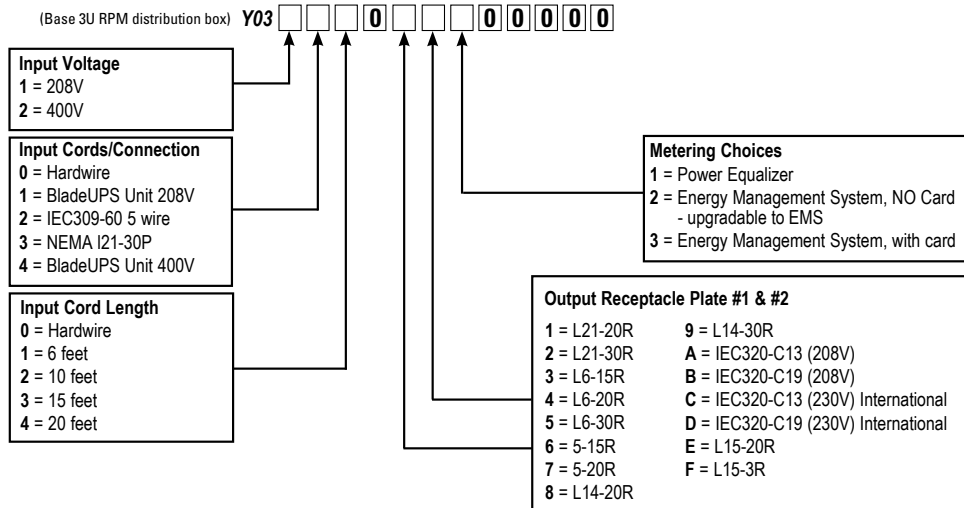


IEC320-C19 (208V)\*,  
IEC320-C19 (230V)

\* - pictured

**EATON RACK POWER MODULE CONFIGURATOR**

**Rack Power Module (RPM)**



**PowerChain Management®**

UNITED STATES  
8609 Six Forks Road  
Raleigh, NC 27615 U.S.A.  
Toll Free: 1.800.356.5794

www.eaton.com/powerquality

CANADA  
Ontario: 416.798.0112  
Toll free: 1.800.461.9166

LATIN AMERICA  
South Cone: 54.11.4124.4000  
Brazil: 55.11.3616.8500  
Andean & Caribbean:  
1.949.452.9610  
Mexico & Central America:  
52.55.9000.5252

EUROPE/MIDDLE EAST/AFRICA  
Denmark: 45.3686.7910  
Finland: 358.94.52.661  
France: 33.1.6012.7400  
Germany: 49.0.7841.604.0  
Italy: 39.02.66.04.05.40  
Norway: 47.23.03.65.50  
Portugal: 55.11.3616.8500  
Sweden: 46.8.598.940.00  
United Kingdom: 44.1753.608.700

ASIA PACIFIC  
Australia: 61.2.9693.9366  
New Zealand: 64.0.3.343.3314  
China: 86.21.6361.5599  
HK/Korea/Taiwan: 852.2745.6682  
India: 91.11.4223.2300  
Singapore/SEA: 65.6825.1668

Eaton, PowerChain Management and ePDU are trade names, and/or service marks of Eaton Corporation or its subsidiaries and affiliates.

All other trademarks are property of their respective owners.